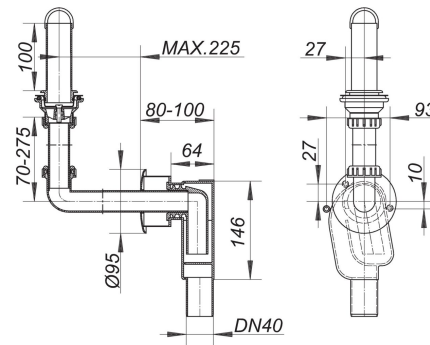


21. November 2019

DALLMER**concealed trap type 300 PC KS, DN 40**

Product No. **130273**
 EAN: 4001636130273
 Discount group: 1



conforming to DIN 19541
 for hospital wash basins (e.g. "Paracelus")

specification:

- space saving built-in trap body
- height adjustable inlet
- escutcheon
- waste
- c.p. standpipe
- removable trap insert

material:

trap in polypropylene

inlet white polypropylene, escutcheon white ABS

Product No.	Description	Dimensions
170156	stand pipe, ABS chromed, 100 mm	100 mm
143020	trap insert for 300, 310	