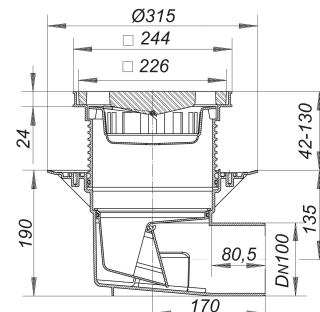


## yard drain type 615.0, DN 100

Part number: 861368  
 GTIN: 4001636861368  
 Rebate group: 3



### Description:

yard drain type 615.0, DN 100

With 500 x 500 mm collar of 5.0 mm thick bituminous membrane, welded to the flange and secured with stainless steel clamp ring.  
 side outlet DN 100, ductile iron grate, load class A (up to 1,5 t)

specification

- flange
- frost-proof self-closing flap-valve
- removable bucket
- height adjustable and rotatable grating

material

polypropylene

ductile iron grate, load class A (up to 1,5 t)

### Flow rates tested to DIN EN 1253:

Nominal diameter	Product standard	Min. flow rate according to norm	Water level according to norm
DN 100	DIN EN 1253	4.50 l/s	35.00 mm

### Spare parts:

860996 ductile iron grate for 605/606/615/616