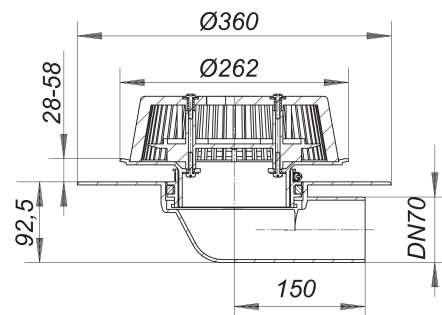


## power overflow drain 86 D PVC, DN 70

Part number: 671370  
 GTIN: 4001636671370  
 Rebate group: 10



### Description:

power overflow drain 86 D PVC, DN 70  
 conforming to DIN EN 1253

flat overflow drain for use in roofs with minimum 120 mm insulation, moulded in PVC, PVC membranes can be welded to the flange

specification:

- overflow upstand height adjustable 28 - 58 mm
- domed grate, secured

material:

PVC

### Flow rates tested to DIN EN 1253:

Nominal diameter	Min. flow rate according to norm	Water level according to norm	Flow rate at water level 5 mm	Flow rate at water level 15 mm	Flow rate at water level 25 mm	Flow rate at water level 35 mm	Flow rate at water level 45 mm	Flow rate at water level 55 mm	Flow rate at water level 65 mm
DN 70	1.70 l/s	35.00 mm	1.00 l/s	3.80 l/s	3.90 l/s	4.10 l/s	4.20 l/s	4.30 l/s	4.50 l/s
DN 70	1.70 l/s	35.00 mm	0.70 l/s	3.20 l/s	7.30 l/s	12.00 l/s	15.60 l/s	16.00 l/s	16.00 l/s
DN 70	12.00 l/s	55.00 mm	0.70 l/s	3.80 l/s	7.50 l/s	12.10 l/s	17.70 l/s	17.90 l/s	17.90 l/s

### Spare parts: