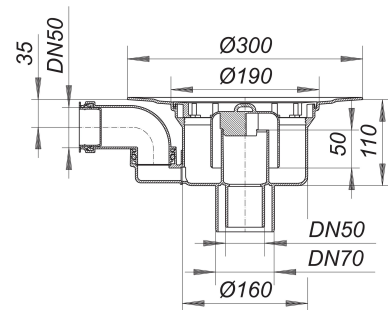


floor drain body type 61/1 HT, inlet DN 50, DN 50/DN 70

Part number: 611550
 GTIN: 4001636611550
 Rebate group: 3



Description:

floor drain body type 61/1 HT, inlet DN 50, DN 50/DN 70
 conforming to DIN EN 1253
 outlet vertical spigot, for connection to plastic pipework

specification

- DN 50 side inlet, swivelling 180 degrees
- removable trap insert, 50 mm water seal (conforming to DIN EN 1253)
- temporary blanking plate

material

polypropylene

DN 70 connects to BS4514 75 mm pipework with 880345 adaptor.
 For connecting further drainages Urinals, sinks, etc.

Flow rates tested to DIN EN 1253:

Nominal diameter	Min. flow rate according to norm	Water level according to norm
DN 50	0.80 l/s	20.00 mm
DN 70	0.80 l/s	20.00 mm

Spare parts:

590077 bell trap for drain body 61

590091 centralising ring for drain bodies type